

Product Datasheet

SRBO-45-30

Bend 45° Open 30mm

The SRBO-45-30 is an open 45° bend for cable protection conduits with an outer diameter of 30 mm. This bend is designed to guide cables through angled routes while allowing for cable entry or exit via precisely laser-cut openings. The laser-cut slot ensures clean edges and a professional finish.

Compatible with Eurostrut cable protection conduits SR-30 and SRL-30. Installation is carried out using the SKM-30 coupling sleeve.

Technical specifications

Deflection (angle): 45°

Outer diameter: 30 mm

Inner diameter: 27 mm

Wall thickness: 1.5 mm

Type: Open bend with laser-cut opening for cable protection conduit SR-30 and SRL-30

Mounting: With SKM-30 coupling sleeve

General tolerance: 0.5

Angle tolerance: 0.5°

Weight: 0.39 kg/unit

Available variants

Hot-dip galvanized steel (FT)

For standard industrial applications

Material: Cold-rolled structural steel S235JRG

Finish: Hot-dip galvanized according to NEN-EN-ISO 1461 (min. 45 µm)

Stainless steel 304 (ER2)

For enhanced corrosion resistance

Material: Stainless steel 304 (ER2)

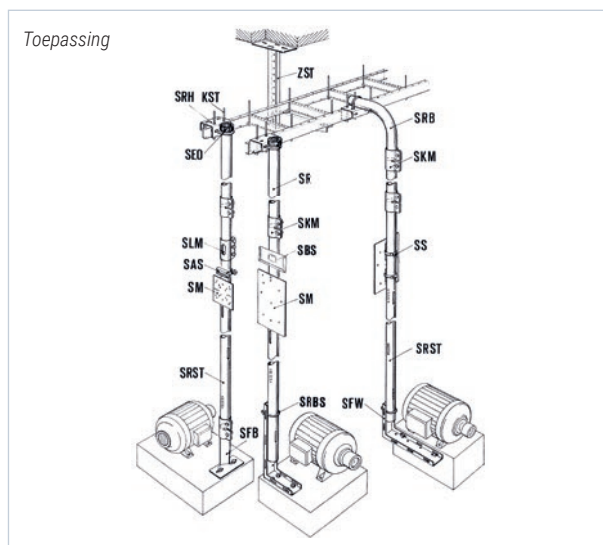
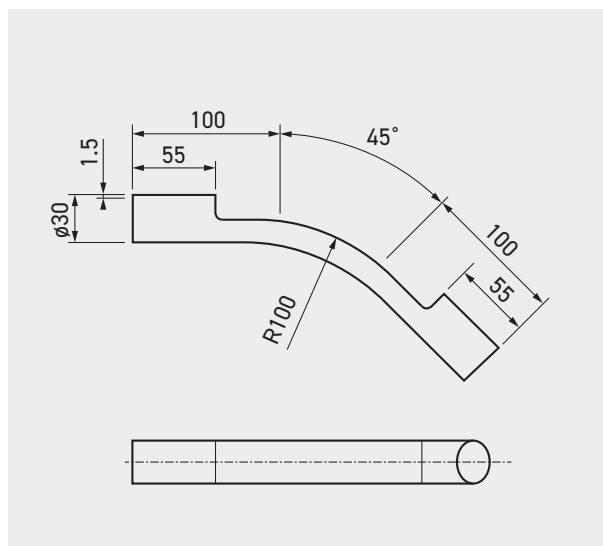
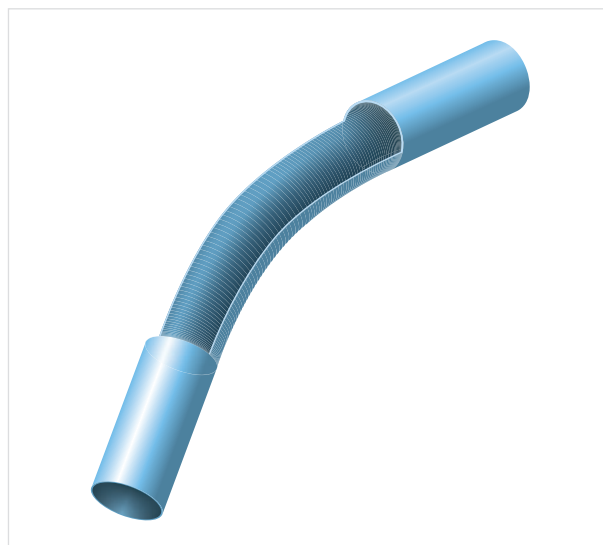
Finish: Pickled and passivated

Stainless steel 316L (ER4)

For highly corrosive environments

Material: Stainless steel 316L (1.4404)

Finish: Pickled and passivated



Article number	R mm	D mm	E mm	kg/unit
SRBO-45-30-FT	100	30	1.5	0.39
SRBO-45-30-ER2	100	30	1.5	0.39
SRBO-45-30-ER4	100	30	1.5	0.39