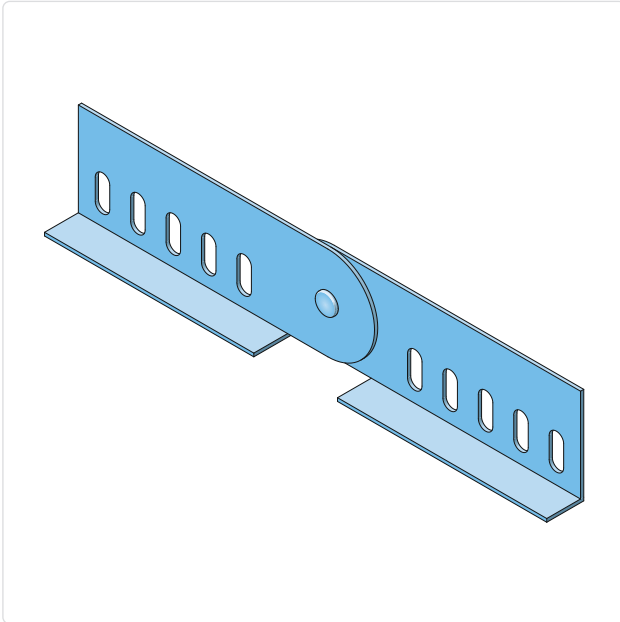


ECTVCP60

Vertical Coupler Plate Cable Tray ECT60



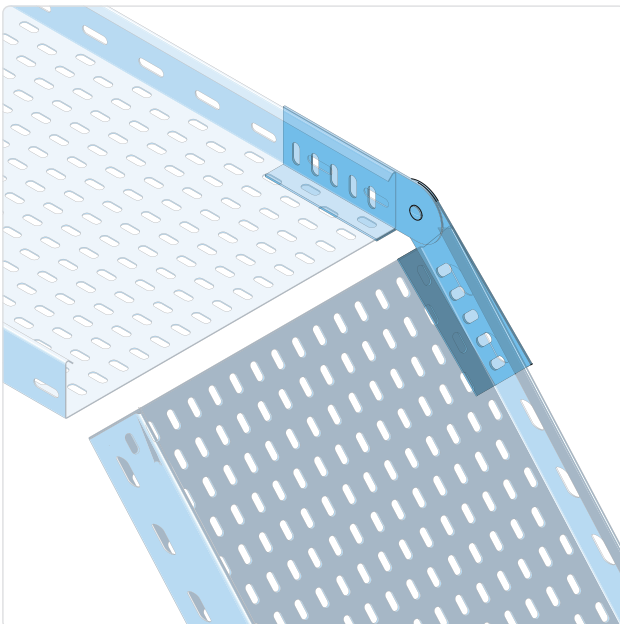
- ✓ Standard execution **hot dip galvanized carbon steel** in accordance with NEN-EN-ISO 1461
- ✓ High zinc coating thickness of **at least 80 µm**
- ✓ Also available in **pre-galvanized, stainless steel 316L** and **stainless steel 304**

Description

The ECTVCP60 vertical splice plate is an accessory for the ECT60 cable tray system and is used to create vertical bends within cable routes. This splice plate allows two straight cable trays to be connected at a vertical angle, enabling both upward and downward transitions (inside and outside risers) to be formed flexibly without the use of fixed inside or outside risers. This accessory is suitable for heavy industrial, utility, and infrastructure installations.

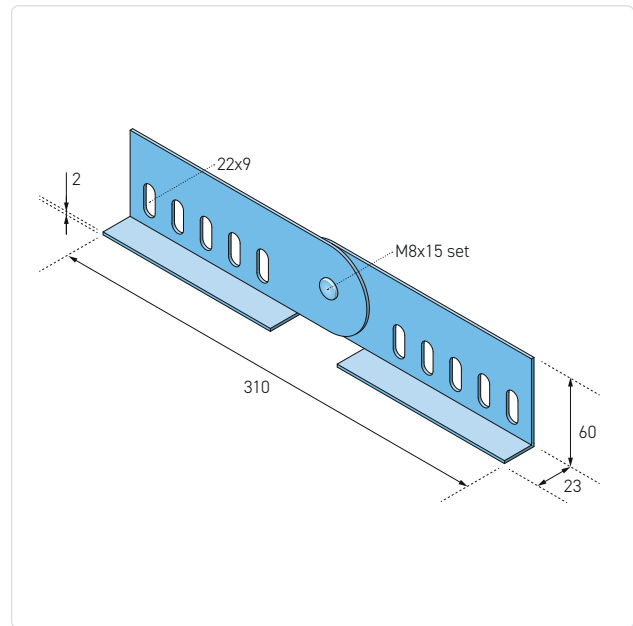
The standard execution is manufactured from hot-dip galvanized carbon steel in accordance with NEN-EN-ISO 1461, with an increased zinc coating thickness of at least 80 µm. This heavy corrosion protection makes the vertical splice plate suitable for heavy industrial and outdoor environments. The hot-dip galvanizing process is applied after fabrication and provides complete surface protection, including cut edges and mounting holes, in accordance with IEC 61537 and installations according to NEN 1010.

The vertical splice plate is designed for installation between two ECT60 cable trays and allows adjustable vertical angle configurations. The design features mounting holes and is supplied with fixing material, enabling fast and stable installation. The accessory is fully compatible with other ECT60 components and contributes to a flexible and system-compliant cable tray installation.



Technical specifications

Product type:	Vertical coupler plate for ECT cable tray
System:	ECT60
System height:	60 mm
Material thickness:	2.0 mm
Length:	310 mm
Height:	60 mm
Width:	23 mm
Angle:	Adjustable 0° - 180°
Perforation:	22 × 9 mm
Standard material:	Carbon steel
Surface treatment:	Hot-dip galvanized in accordance with NEN-EN-ISO 1461
Zinc coating thickness:	Minimum 80 µm
Execution:	Hinged vertical coupling plate
Model:	Length- and angle joint
Application:	Formation of vertical bends (rising and falling)
Mounting perforation:	Yes
Connection method:	Bolted
Fixing execution:	Including 4x EFS08x15 fixing set (carriage bolt M08x15, nut and washer)
Standards:	IEC 61537, applicable within installations in accordance with NEN 1010



Available material variants

PG: Pre-galvanized steel (EN 10346), suitable for dry indoor environments and light industrial applications.

HDG: Hot-dip galvanized carbon steel in accordance with NEN-EN-ISO 1461, with a high coating thickness of at least 80 µm, suitable for heavy industrial and outdoor environments.

SS 304 (A2 / 1.4301): Stainless steel for indoor environments and lightly corrosive conditions.

SS 316L (A4 / 1.4404): Stainless steel with increased corrosion resistance for chemical, maritime, and offshore applications.

Variants

Article number	L mm	W mm	H mm	A deg°	e mm	kg/unit
ECTVCP60-HDG	310	23	60	Adjustable	2.0	0.453
ECTVCP60-PG	310	23	60	Adjustable	2.0	0.453
ECTVCP60-SS316	310	23	60	Adjustable	2.0	0.453
ECTVCP60-SS304	310	23	60	Adjustable	2.0	0.453

