

# Product Datasheet

## SKM-30

### Coupling Socket 30mm

The SKM-30 is a coupling sleeve for cable protection conduits with an outer diameter of 30 mm. This sleeve is used to securely connect two conduit ends or bends, providing a reliable and mechanically stable joint in various installations.

#### Technical specifications

|                              |  |
|------------------------------|--|
| <b>Application:</b>          | Connecting Ø30 mm cable protection tubes and bends                   |
| <b>For conduit diameter:</b> | 30 mm  |
| <b>Compatible with:</b>      | SR-30 and SRL-30 cable protection tubes                              |
| <b>Outer diameter:</b>       | 33.4 mm  |
| <b>Inner diameter:</b>       | 30.4 mm  |
| <b>Length:</b>               | Approx. 80 mm  |
| <b>Wall thickness:</b>       | 1.5 mm   |
| <b>General tolerance:</b>    | 0.5 mm   |
| <b>Angle tolerance:</b>      | 0.5°   |
| <b>Includes:</b>             | 2x M6 fastening sets   |
| <b>Mounting:</b>             | Insert both tube ends into the sleeve and tighten the fastening sets |
| <b>Weight:</b>               | 0.13 – 0.15 kg/unit  |

#### Available variants

##### Hot-dip galvanized steel (FT)

For standard industrial applications

|                  |  |
|------------------|--|
| <b>Material:</b> | Cold-rolled structural steel S235JRG                         |
| <b>Finish:</b>   | Hot-dip galvanized according to NEN-EN-ISO 1461 (min. 45 µm) |
| <b>Layer:</b>    | 60 - 80 µm   |

##### Stainless steel 304 (ER2)

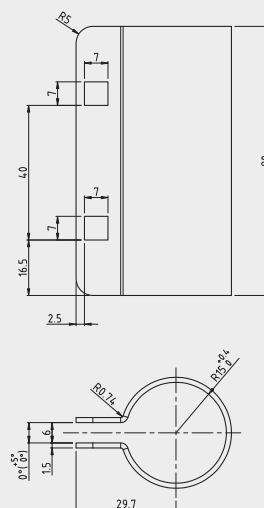
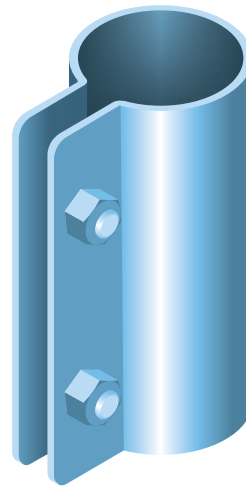
For enhanced corrosion resistance

|                  |                           |
|------------------|---------------------------|
| <b>Material:</b> | Stainless steel 304 (ER2) |
| <b>Finish:</b>   | Pickled and passivated    |

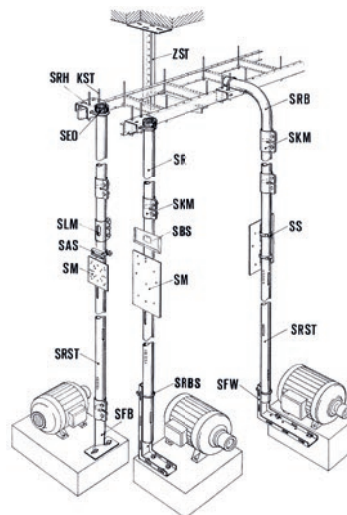
##### Stainless steel 316L (ER4)

For highly corrosive environments

|                  |                               |
|------------------|-------------------------------|
| <b>Material:</b> | Stainless steel 316L (1.4404) |
| <b>Finish:</b>   | Pickled and passivated        |



#### Toeassing



| Article number | D mm | E mm | kg/unit |
|----------------|------|------|---------|
| SKM-30-FT      | 30   | 1.5  | 0.15    |
| SKM-30-ER2     | 30   | 1.5  | 0.13    |
| SKM-30-ER4     | 30   | 1.5  | 0.13    |