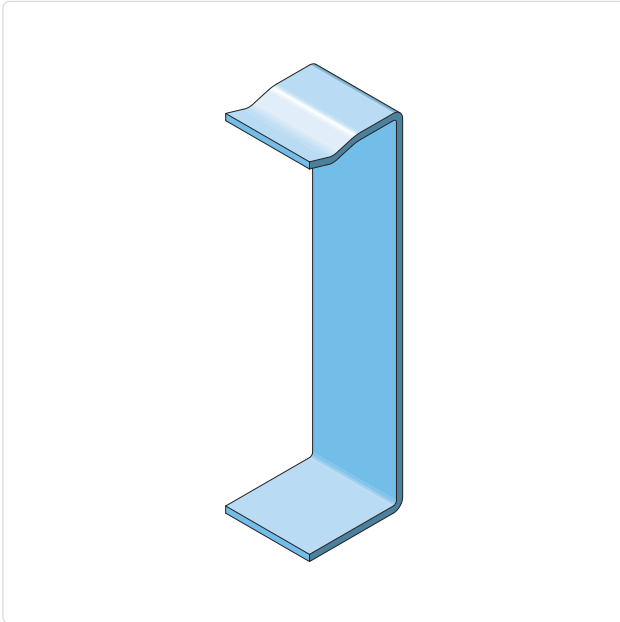


ECTCC100

Cover Clamp Clickable ECT100



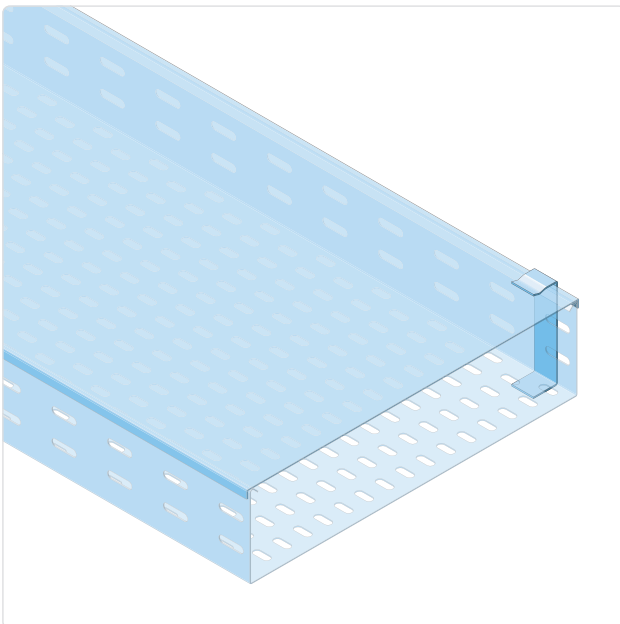
- ✓ Standard execution **hot dip galvanized carbon steel** in accordance with NEN-EN-ISO 1461
- ✓ High zinc coating thickness of **at least 90 µm**
- ✓ Also available in **pre-galvanized, stainless steel 316L** and **stainless steel 304**

Description

The ECTCC100 cover clamp is an accessory for the ECT100 cable tray system and is used to secure covers on cable trays and associated accessories. The clamp provides a mechanically secure and vibration-resistant fixation of the cover, ensuring a closed cable route and protecting cables from external influences. This accessory is suitable for industrial, utility, and infrastructure installations.

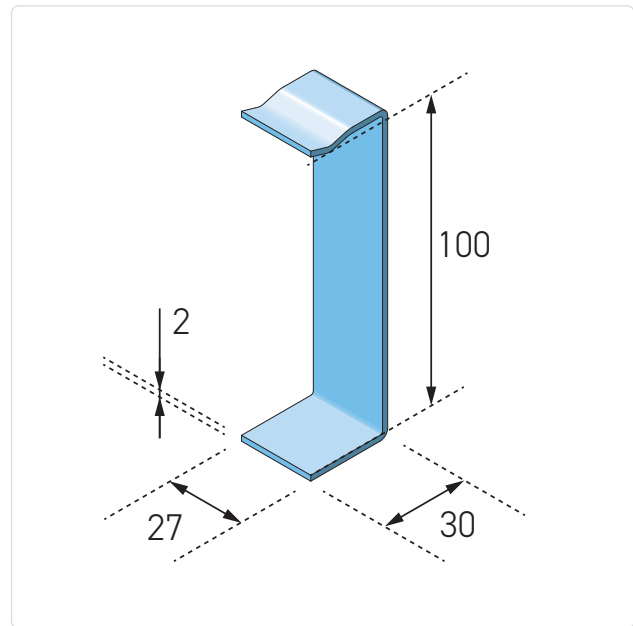
The standard execution is manufactured from carbon steel and hot-dip galvanized in accordance with NEN-EN-ISO 1461, with a zinc coating thickness of at least 90 µm. This surface treatment is applied after fabrication and provides durable corrosion protection, including cut edges and punched holes. This makes the cover clamp suitable for use in outdoor environments and in conditions with increased corrosive exposure, in accordance with IEC 61537 and installations according to NEN 1010.

The cover clamp is designed as a snap-on fixing element and is suitable for direct installation on ECT100 cable trays and accessories. The snap-on mechanism allows the cover to be quickly installed and removed without tools. The execution is fully compatible with the ECT100 system and ensures reliable and maintenance-friendly fixation of cable tray covers.



Technical specifications

Product type:	Clickable cover clamp for ECT cable tray
System:	ECT100
System height:	100 mm
Material thickness:	2.0 mm
Length:	30 mm
Height:	100 mm
Width:	27 mm
Standard material:	Carbon steel
Surface treatment:	Hot-dip galvanized in accordance with NEN-EN-ISO 1461
Zinc coating thickness:	Minimum 90 µm
Execution:	Cover clamp clickable
Application:	Connecting covers to cable trays and cable tray accessories
Connection method:	Snap-on connection
Standards:	IEC 61537, applicable within installations in accordance with NEN 1010



Available material variants

PG: Pre-galvanized steel (EN 10346), suitable for dry indoor environments and light industrial applications.

HDG: Hot-dip galvanized carbon steel in accordance with NEN-EN-ISO 1461, with a high coating thickness of at least 90 µm, suitable for heavy industrial and outdoor environments.

SS 304 (A2 / 1.4301): Stainless steel for indoor environments and lightly corrosive conditions.

SS 316L (A4 / 1.4404): Stainless steel with increased corrosion resistance for chemical, maritime, and offshore applications.

Variants

Article number	L mm	W mm	H mm	e mm	kg/unit
ECTCC100-HDG	30	27	100	2.0	0.08
ECTCC100-PG	30	27	100	2.0	0.08
ECTCC100-SS316	30	27	100	2.0	0.08
ECTCC100-SS304	30	27	100	2.0	0.08

Overview ECT Cable Tray 100 mm

