

# Product Datasheet

## SRB-90-30

### Bend 90° Closed 30mm

The SRB-90-30 is a fully enclosed 90° bend, suitable for cable protection conduits with an outer diameter of 30 mm. This bend is designed to guide cables safely and neatly through corners without compromising protection or accessibility. Its enclosed design offers complete protection of the cables against dust, dirt, and mechanical damage.

Compatible with Eurostrut conduits SR-30 and SRL-30. Installation requires the SKM-30 coupling sleeve.

#### Technical specifications

<b>Deflection (angle):</b>	90°
<b>Dimensions:</b>	215 x 215 mm
<b>Outer diameter:</b>	30 mm
<b>Inner diameter:</b>	27 mm
<b>Wall thickness:</b>	1.5 mm
<b>General tolerance:</b>	0.5
<b>Angle tolerance:</b>	0.5°
<b>Weight:</b>	0.36 – 0.40 kg/unit
<b>Type:</b>	Closed bend for cable protection conduit SR-30 and SRL-30
<b>Mounting:</b>	With SKM-30 coupling sleeve

#### Available variants

##### Hot-dip galvanized steel (FT)

For standard industrial applications

<b>Material:</b>	Cold-rolled structural steel S235JRG
<b>Finish:</b>	Hot-dip galvanized according to NEN-EN-ISO 1461 (min. 45 µm)

##### Stainless steel 304 (ER2)

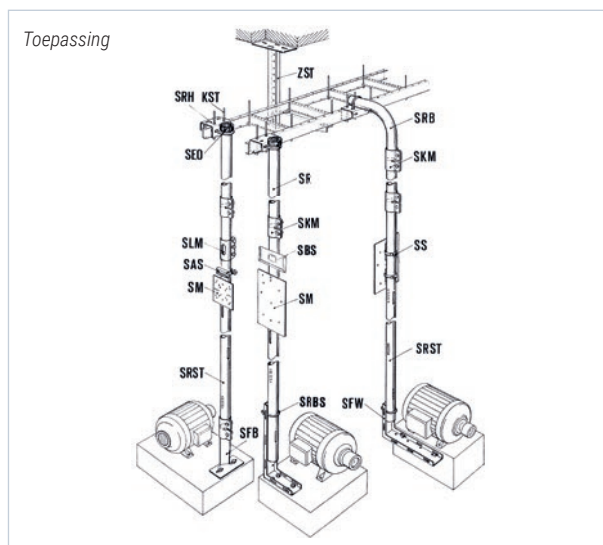
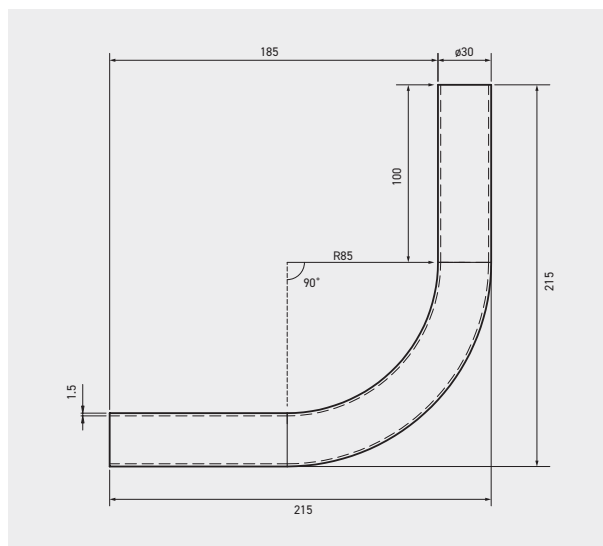
For enhanced corrosion resistance

<b>Material:</b>	Stainless steel 304 (ER2)
<b>Finish:</b>	None

##### Stainless steel 316L (ER4)

For highly corrosive environments

<b>Material:</b>	Stainless steel 316L (1.4404)
<b>Finish:</b>	None



Article number	∠	D mm	E mm	kg/unit
SRB-90-30-FT	90°	30	1.5	0.36
SRB-90-30-ER2	90°	30	1.5	0.40
SRB-90-30-ER4	90°	30	1.5	0.40